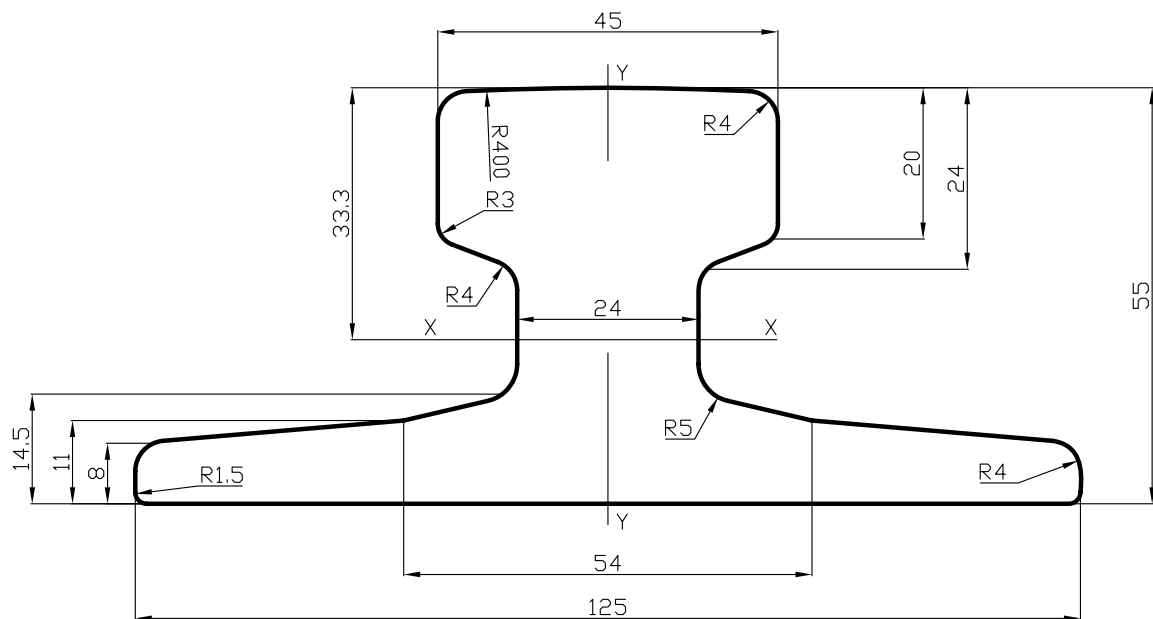


**Crane rails**

**DIN Standard**

**A45**



**A45**

Mass		22,10 kg/m	Scale 1:1
Area		28,20 cm <sup>2</sup>	
Moment of inertia	X-X	90,0 cm <sup>4</sup>	
	Y-Y	170,0 cm <sup>4</sup>	
Section modulus	X-X Head	27,0 cm <sup>3</sup>	
	X-X Base	41,5 cm <sup>3</sup>	
	Y-Y Axis	27,2 cm <sup>3</sup>	