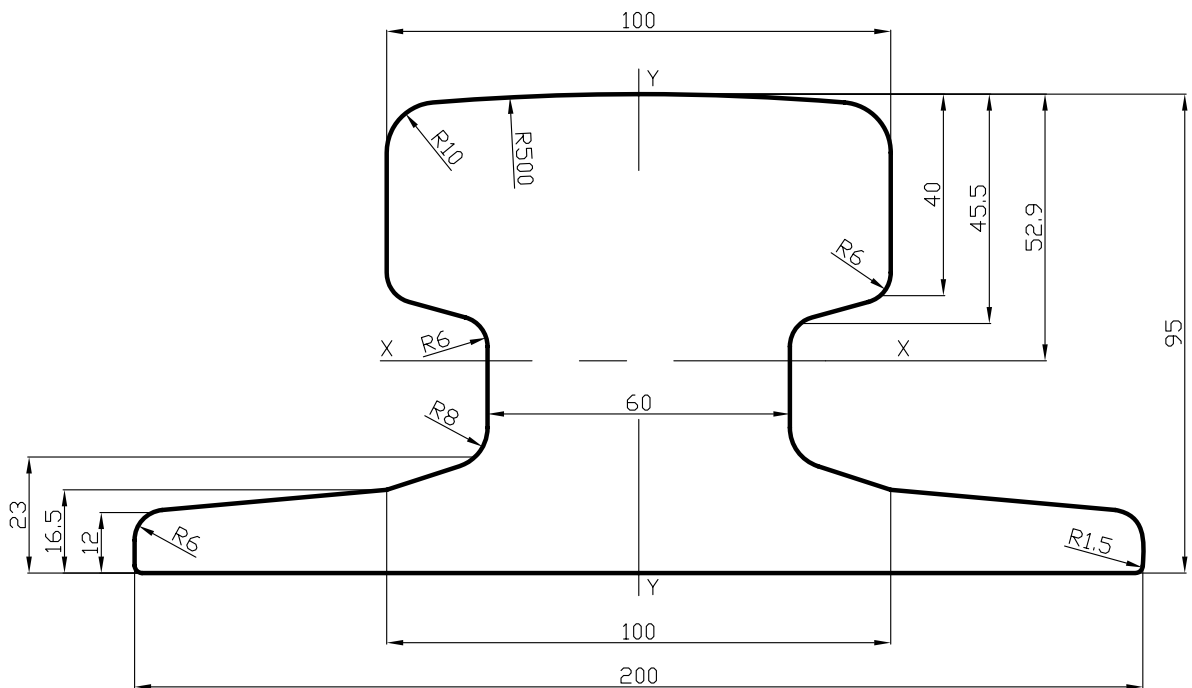


Crane rails

DIN Standard

A100



**A100**

Mass		75,20 kg/m	Scale 1:1.5
Area		95,60 cm <sup>2</sup>	
Moment of inertia	X-X	888,0 cm <sup>4</sup>	
	Y-Y	1360,0 cm <sup>4</sup>	
Section modulus	X-X Head	170,0 cm <sup>3</sup>	
	X-X Base	203,3 cm <sup>3</sup>	
	Y-Y Axis	136,0 cm <sup>3</sup>	