

UR-B116/10

UNION RAIL WA BOLTED FIXING



Ph: 1800 099 788 | info@unionrail.com.au | www.unionrail.com.au

The Union Rail WA URB116/10 adjustable crane rail clip is designed to fix light rails in the most arduous applications.

It can withstand a horizontal force from the rail of 38kN (3.9 tonnes). Its low profile allows it to be used with cranes that are fitted with guide rollers.

Dimensions (mm):

REF NO.	X	Y	Z	WEIGHT
URB116/10/25	25	35	19	0.31kg
URB116/10/32	32	40	26	0.37kg

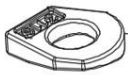
SPECIFICATIONS:

Max Side Load: 38kN
Horizontal Rail Adjustment: 10 mm
Grade 8.8 Bolt 200Nm

Minimum assembly width:
 $W = \text{Rail width (F)} + 100\text{mm}$

URB116/10

COMPONENTS:

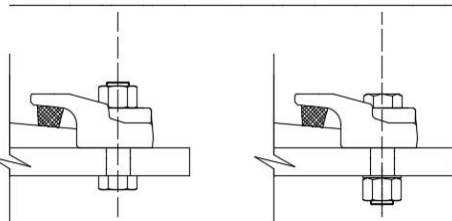


Special washer



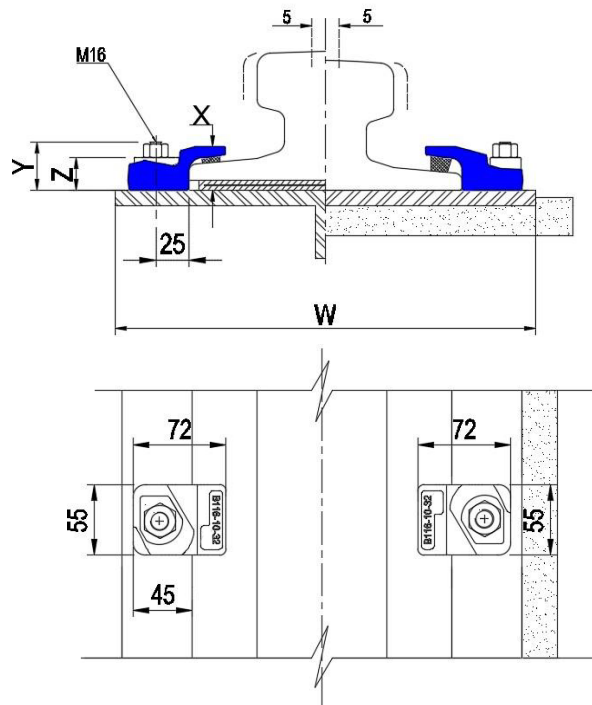
Clip with integral rubber block

BOLT CONFIGURATIONS



1. RAIL WITH PAD

2. RAIL WITHOUT PAD



	F mm	C mm	A mm	RAIL WITH PAD	RAIL WITHOUT PAD
A 45	125	45	55	URB116/10/32	URB116/10/25
A 55	150	55	65	URB116/10/32	URB116/10/25
S 30	108	60	108	URB116/10/32	URB116/10/25
S 41	125	67	138	URB116/10/32	URB116/10/25
JIS 37	122	63	122	URB116/10/32	URB116/10/25
JIS 40	122	64	140	URB116/10/32	URB116/10/25
S 20	82	44	100	URB116/10/32	URB116/10/25
30 KG	108	60	108	URB116/10/32	URB116/10/25
41 KG	127	63	136	URB116/10/32	URB116/10/25

This clip can be used for a wider selection of rails than illustrated. Please contact URWA for the full range of possible rails. URWA may change or improve their products and also alter specifications without notice.