

# UR-B224/20

## UNION RAIL WA BOLTED FIXING



Ph: 1800 099 788 | info@unionrail.com.au | www.unionrail.com.au

The Union Rail WA UR-B224/20 adjustable crane rail clip is designed to fix heavy rails in the most arduous applications.

It can withstand a horizontal force from the rail of 255kN

Its low profile allows it to be used with cranes that are fitted with guide rollers.

### DIMENSIONS (mm):

REF NO.	A	B (FULL NUT)	C	WEIGHT kg
UR-B224-20-42	42	50	27	2.34

### SPECIFICATIONS:

Max Side Load using Grade 8.8 Bolt: 255kN

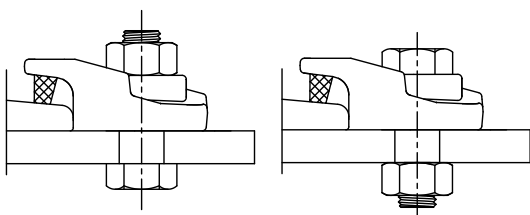
Horizontal Rail Adjustment: 20 mm

The hexagon headed fixing bolt can be inserted from above or below the supporting structure – see adjacent configurations.

If it is desired to fix the clip with a welded stud, this may be possible.

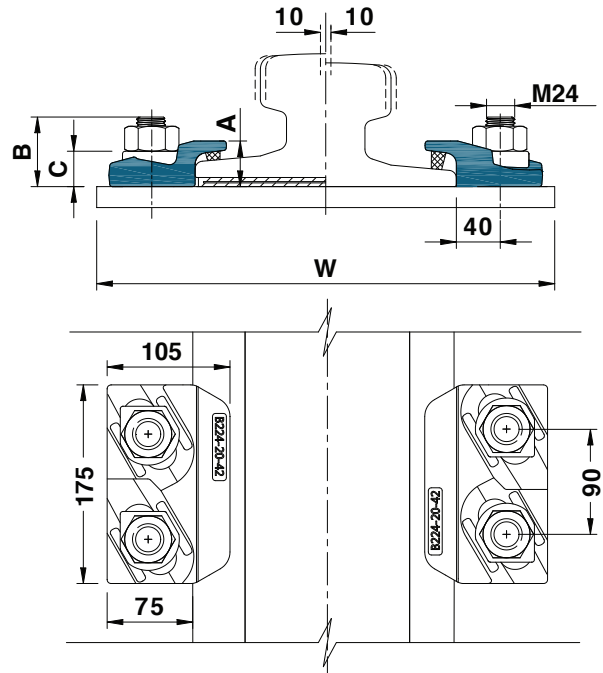
### TIGHTENING TORQUE:

Grade 8.8 bolt 600Nm

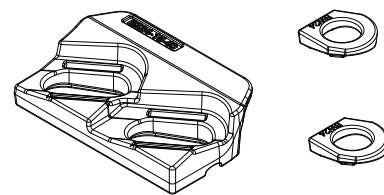


### RAIL WITH PAD

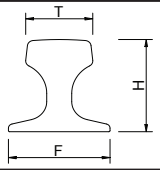
### RAIL WITHOUT PAD



Minimum assembly width (W)=Rail Width(F)+170mm



UR-B224/20

	F mm	T mm	H mm	RAIL WITH PAD	RAIL WITHOUT PAD
A 120	220	120	105	UR-B224-20-42	UR-B224-20-42
A 150	220	150	150	UR-B224-20-42	UR-B224-20-42
ISCR100	150	102	150	UR-B224-20-42	UR-B224-20-42
ISCR120	170	120	170	UR-B224-20-42	UR-B224-20-42
QU 100	150	100	150	UR-B224-20-42	UR-B224-20-42
QU 120	170	120	170	UR-B224-20-42	UR-B224-20-42

This clip can be used for a wider selection of rails than illustrated. Please contact URWA for the full range of possible rails. URWA may change or improve their products and also alter specifications without notice.