

UR-B120/15

UNION RAIL WA BOLTED FIXING



Ph: 1800 099 788 | info@unionrail.com.au | www.unionrail.com.au

The Union Rail WA UR-B120/15 adjustable crane rail clip is designed to fix light rails in the most arduous applications.

It can withstand a horizontal force from the rail of 80kN

Its low profile allows it to be used with cranes that are fitted with guide rollers.

DIMENSIONS (mm):

REF NO.	A	B (FULL NUT)	C	WEIGHT kg
UR-B120-15-35	35	45	25	0.70

SPECIFICATIONS:

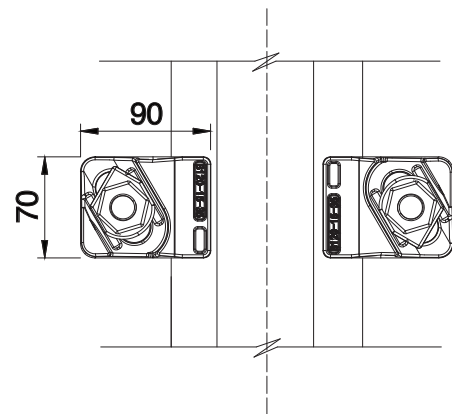
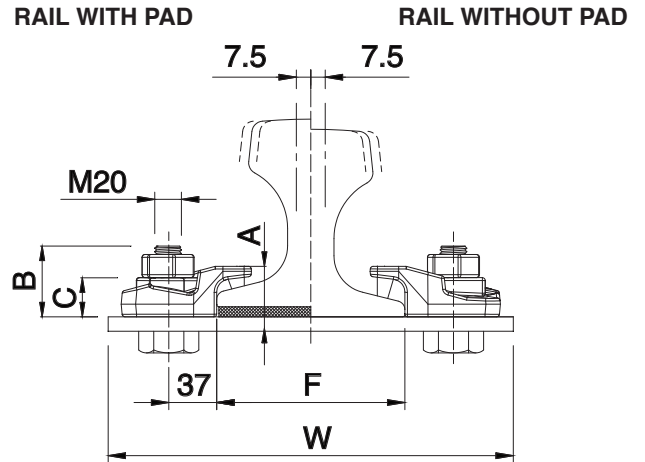
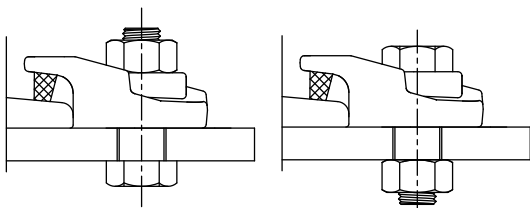
Max Side Load using Grade 8.8 Bolt: 80kN
 Max Side Load using Grade 10.9 Bolt: 105kN
 Horizontal Rail Adjustment: 15 mm

The hexagon headed fixing bolt can be inserted from above or below the supporting structure – see adjacent configurations.

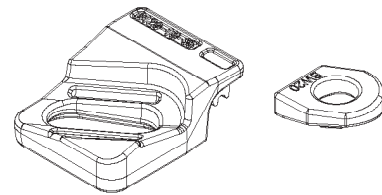
If it is desired to fix the clip with a welded stud, this may be possible.

TIGHTENING TORQUE:

Grade 8.8 bolt 390Nm; Grade 10.9 bolt 600Nm



Minimum assembly width $W = \text{Rail Width}(F) + 147\text{mm}$



UR-B120/15

	F mm	T mm	H mm	RAIL WITH PAD	RAIL WITHOUT PAD
A 65	175	65	75	UR-B120-15-35	UR-B120-15-35
A 75	200	75	85	UR-B120-15-35	UR-B120-15-35
A 100	200	100	95	UR-B120-15-35	
QU 70	120	70	120	UR-B120-15-35	UR-B120-15-35
QU 80	130	80	130	UR-B120-15-35	UR-B120-15-35
QU 100	150	100	150	UR-B120-15-35	UR-B120-15-35

This clip can be used for a wider selection of rails than illustrated. Please contact URWA for the full range of possible rails. URWA may change or improve their products and also alter specifications without notice.